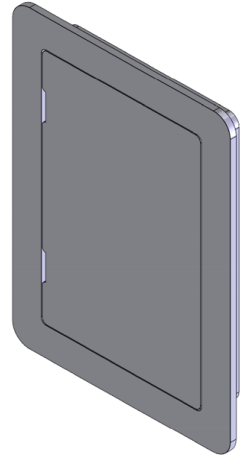
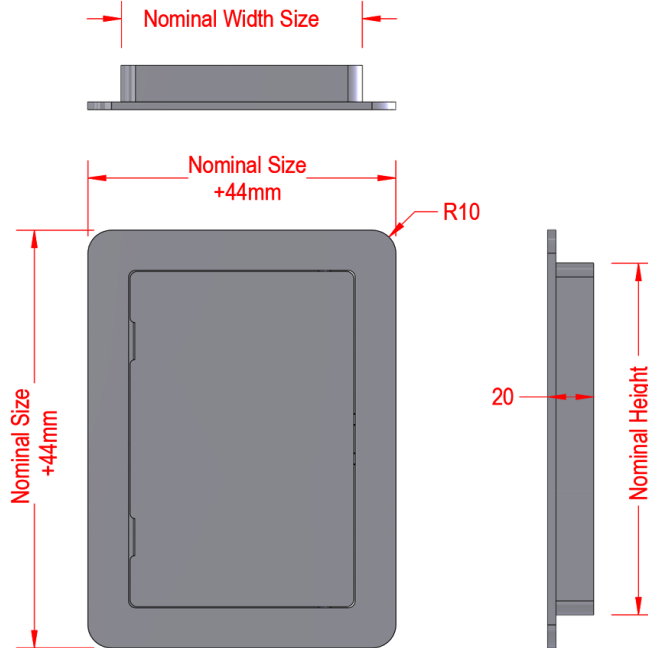
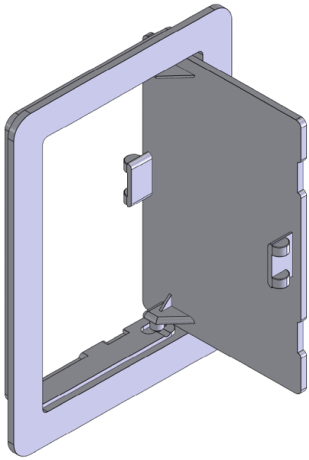




## Datasheet

# R15-000-PL-PF-NL

## Plastic Access Panel



NOMINAL SIZE (HxW)	STRUCTURAL OPENING	WEIGHT
152x102	157x107	0.12kg
203x203	208x208	0.27kg
228x152	233x157	0.24kg
305x305	310x310	0.54kg
355x355	340x340	0.77kg
457x457	462x462	1.2kg
560x560	565x565	2.85kg



**Walls Only**



**No Airtight Rating**



**No Acoustic Rating**



**No Fire Rating**



**Picture Frame**

### Description

The R15-000-PL-PF-NL Plastic range of Access Panels are simple to install and suitable for walls where regular maintenance to services is required or simply used to fill unsightly holes, saving the need for expensive repairs.

### Construction

Manufactured from 3mm thick high impact styrene plastic with U.V stabilizers which will not fade or corrode and a white textured surface to allow for painting over. The flush plastic door has a picture frame detail with a simple pin hinge to allow the door to be completely removed. Opened using a coin or flat head screwdriver.

### Tests

The Panel is not Fire Rated.  
The Panel is not Acoustic rated.  
The Panel is not Air Pressure tested.  
The Panel is not Smoke Tested.

### Seals

Draught Seals **NO**, Smoke Seals **NO**, Air Seals **NO**, Acoustic Seals **NO**, Intumescent Seals **NO**

### Sizes

152x102mm  
203x203mm  
228x152mm  
305x305mm  
355x355mm  
457x457mm

### Fitting

Please note that on installation of the access panel, the actual size of the structural opening in the wall needs to be 5mm larger than the overall panel size eg. Structural opening for 152 x 102 would need to be 157 x 107 (See sizes above).

Either glue in place using a suitable adhesive or screw fix through the upstand of the frame into a prepared timber / steel lined opening ensuring the frame is pushed up against the structural opening surround.